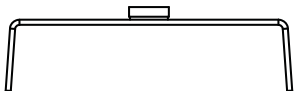
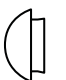
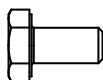
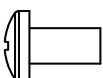



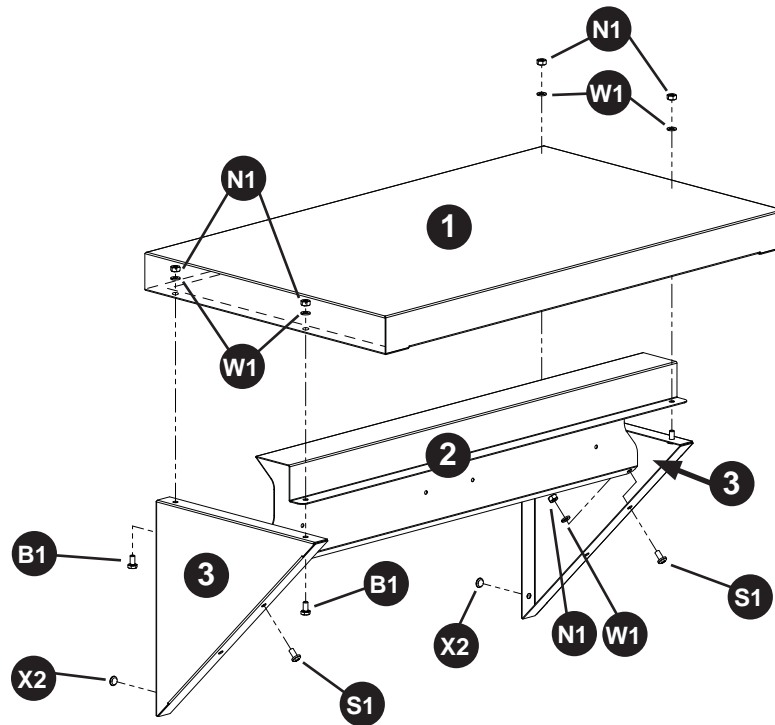


Grill Table Shelf



HARDWARE CONTENTS

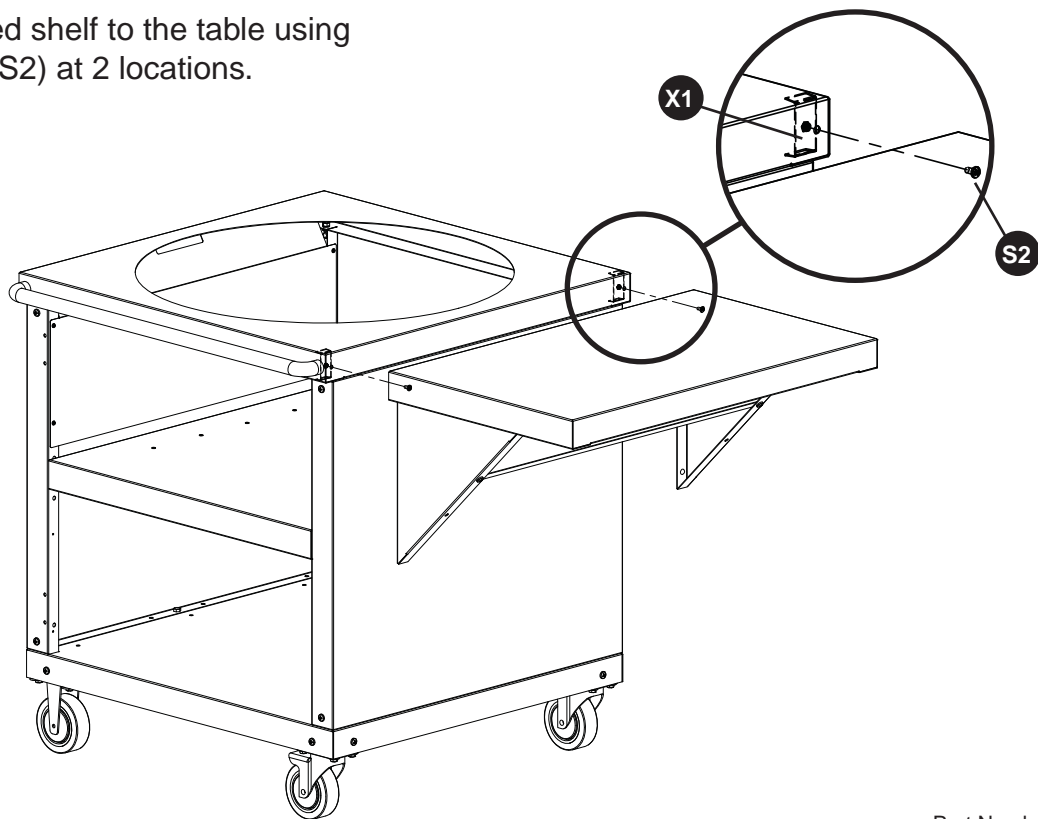
X1		Nut Plate	2
X2		Rest Button	2
B1		1/4-20 x 1/2" Long Hex Head Bolt	4
S1		1/4-20 x 1/2" Long Phillips Head Screw	2
S2		#10-32 x 3/8" Phillips Head Screw	2
W1		1/4" Split Lock Washer	6
N1		1/4-20 Hex Nut	6



The Grill Table Shelf attaches to the 54 in. and 30 in. grill tables. The 30in grill table is shown.

Attach the two sides (3) to the cross support (2) and with the shelf (1) with (B1), (W1), and (N1) at 4 locations. The sides and cross support will attach to the holes under the shelf. Fasten the sides to the cross support with (S1), (W1), and (N1) at 2 locations. Insert the rest buttons (X2) into the sides on the surface that attaches to the table at 2 locations.

Attach the assembled shelf to the table using Nut Plate (X1) and (S2) at 2 locations.



Part Number 7/11



Questions, problems, missing parts? Before returning to your retailer, call our customer service department at 1-800-803-4154, 8 a.m. - 4:30 p.m., Monday - Friday, CST.