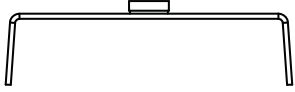

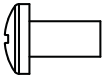
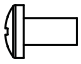


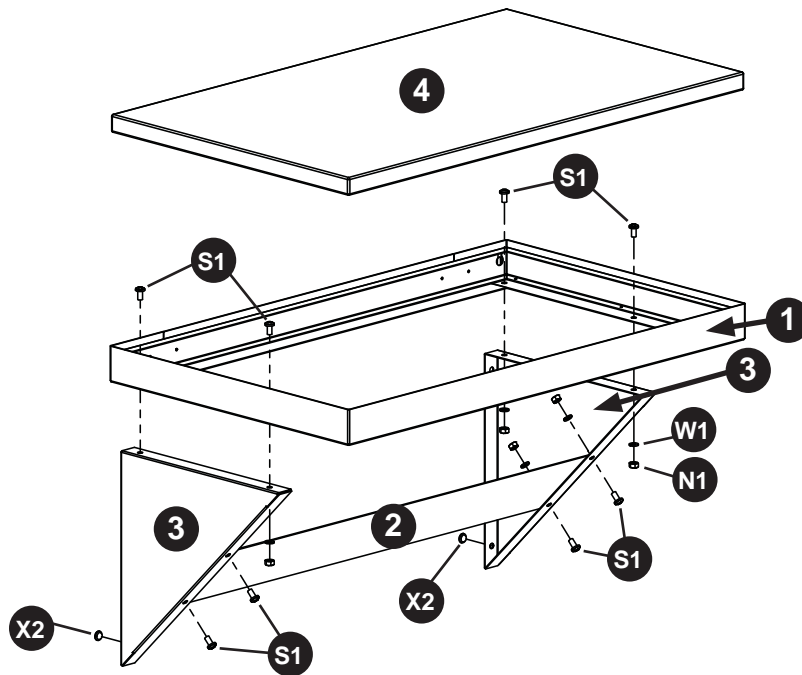


Grill Table Shelf with Cutting Board



HARDWARE CONTENTS

X1		Nut Plate	2
X2		Rest Button	2
S1		1/4-20 x 1/2" Long Phillips Head Screw	8
S2		#10-32 x 3/8" Phillips Head Screw	2
W1		1/4" Split Lock Washer	8
N1		1/4-20 Hex Nut	8

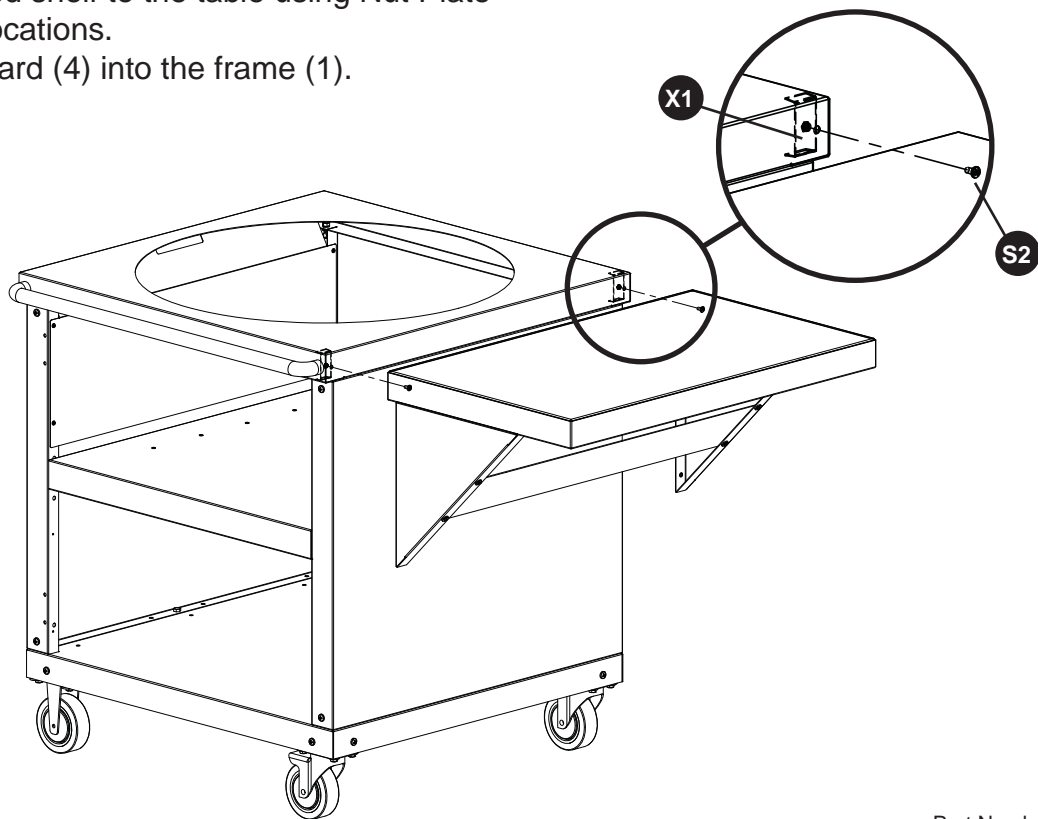


The Grill Table Shelf attaches to the 54 in. and 30 in. grill tables. The 30in grill table is shown.

Attach the two sides (3) to the cross support (2) with (S1), (W1), and (N1) at 4 locations. The sides and cross support will attach to the frame with (S1), (W1), and (N1) at 4 locations. Insert the rest buttons (X2) into the sides on the surface that attaches to the table at 2 locations.

Attach the assembled shelf to the table using Nut Plate (X1) and (S2) at 2 locations.

Insert the cutting board (4) into the frame (1).



Part Number 7/11



Questions, problems, missing parts? Before returning to your retailer, call our customer service department at 1-800-803-4154, 8 a.m. - 4:30 p.m., Monday - Friday, CST.